

1) EZ-Flo Scale Standard Sizes.. Model A Through D

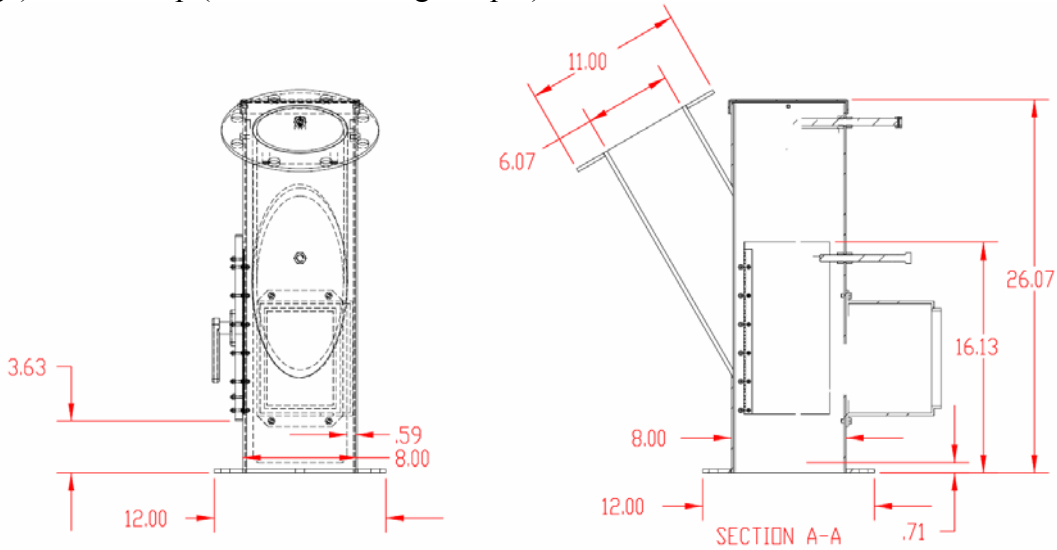
25.5" High -30.5" High -34.5" High - 41" High

Custom Sizes available.

Model A

EZ-Flo Scale 25.6 High – 8" Tube – Powder Paint Carbon Steel

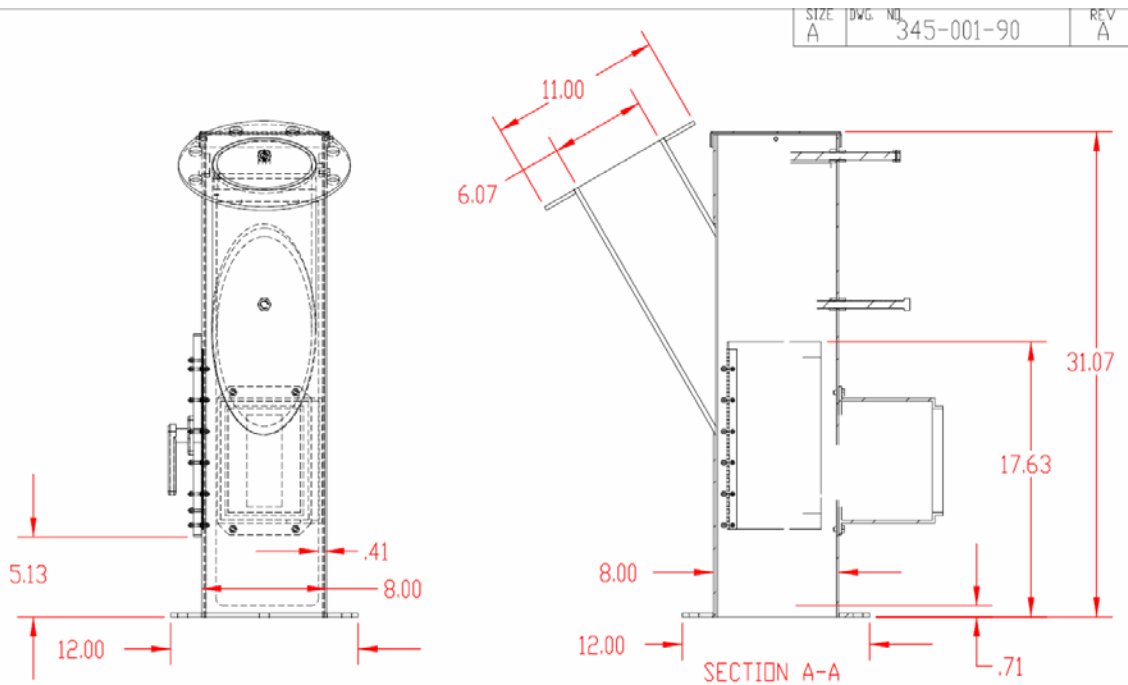
Scale 25.5" High X 26.25 Wide (Load Cell Enclosure Door to Feed Throat Flange Far edge) X 12" Deep (Scale Base Flange Depth) Dimensions



Model B

EZ-Flo Scale 31." High – 8" Tube – Powder Paint Carbon Steel

Scale 30.5" High X 26.25 Wide (Load Cell Enclosure Door to Feed Throat Flange Far edge) X 12" Deep (Scale Base Flange Depth) Dimensions

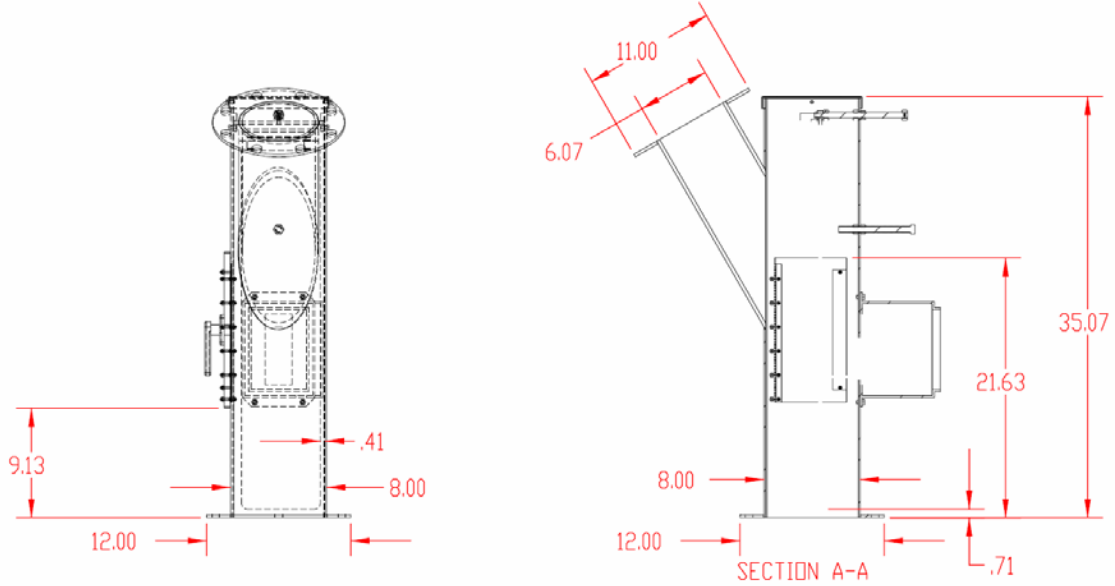


Model C

EZ-Flo Scale 35.0" High – 8" Tube – Powder Paint Carbon Steel

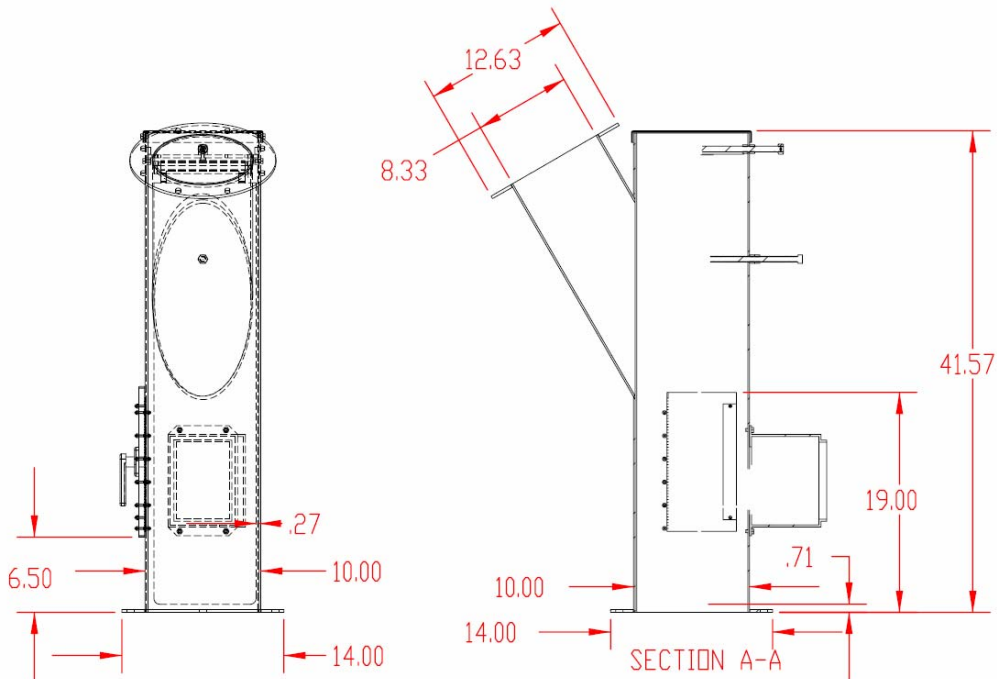
Scale 34.5" High X 26.25" Wide (Load Cell Enclosure Door to Feed Throat Flange Far edge) X 12" Deep (Scale Base Flange Depth) Dimensions

SIZE A	DWG. NO. 345-001-87	REV A
-----------	------------------------	----------



Model D EZ-Flo Scale 41.6" High – 10" Tube –

Scale 41" High X 30" Wide (Load Cell Enclosure Door to Feed Throat Flange Far edge) X 14" Deep (Scale Base Flange Depth)



Dimension Key to following On Page 5

Model A

EZ-Flo Scale 25.5 High – 8” Tube – Powder Paint Carbon Steel

Figure 2 –

A-F Height – 25.5
B-D Inspection Door Height 11.5”
C-E Load Cell Box Height 8”
N-Q Flange OD 11”
O-P Feed Throat ID 6”
H-M Base Flange OD 12”
K-L Square Tube Width 8”
B-F 18.5

Figure 3

N-Q Flange OD 11”
O-P Feed Throat ID 6”
H-M Base Flange OD 12”
K-L Square Tube Width 8”
R-Q – Cover to Flange Edge 2”
R-N Body Cavity Edge to Far Feed Throat Flange Edge 11.25”
S-R – Body Cavity Depth 8”
V-W Load Cell Box Depth 7”

Model B

EZ-Flo Scale 30.5” High – 8” Tube – Powder Paint Carbon Steel

Scale 30.5” High X 26.25 Wide (Load Cell Enclosure Door to Feed Throat Flange Far edge) X 12” Deep (Scale Base Flange Depth) Dimensions

Figure 2

A-F Height – 30.5
B-D Inspection Door Height 12”
C-E Load Cell Box Height 8”
N-Q Flange OD 11”
O-P Feed Throat ID 6”
H-M Base Flange OD 12”
K-L Square Tube Width 8”
B-F 24”

Figure 3

N-Q Flange OD 11”
O-P Feed Throat ID 6”
H-M Base Flange OD 12”
K-L Square Tube Width 8”
R-Q – Cover to Flange Edge 2”
R-N Body Cavity Edge to Far Feed Throat Flange Edge 11.25”
S-R – Body Cavity Depth 8”
V-W Load Cell Box Depth 7”

Model C

EZ-Flo Scale 34.5” High – 8” Tube – Powder Paint Carbon Steel

Scale 34.5” High X 26.25 Wide (Load Cell Enclosure Door to Feed Throat Flange Far edge) X 12” Deep (Scale Base Flange Depth) Dimensions

Figure 2

A-F Height – 34.5

B-D Inspection Door Height 12”

C-E Load Cell Box Height 8”

N-Q Flange OD 11”

O-P Feed Throat ID 6”

H-M Base Flange OD 12”

K-L Square Tube Width 8”

B-F 27.5

Figure 3

N-Q Flange OD 11”

O-P Feed Throat ID 6”

H-M Base Flange OD 12”

K-L Square Tube Width 8”

R-Q – Cover to Flange Edge 2”

R-N Body Cavity Edge to Far Feed Throat Flange Edge 11.25”

S-R – Body Cavity Depth 8”

V-W Load Cell Box Depth 7”

Model D

EZ-Flo Scale 41” High – 10” Tube – Stainless Steel

Scale 41” High X 30” Wide (Load Cell Enclosure Door to Feed Throat Flange Far edge) X 14” Deep (Scale Base Flange Depth) Dimensions

Figure 2

A-F Height – 41

B-D Inspection Door Height 12”

C-E Load Cell Box Height 8”

N-Q Flange OD 12.5”

O-P Feed Throat ID 8”

H-M Base Flange OD 14”

K-L Square Tube Width 10”

B-F 13

Figure 3

N-Q Flange OD 12.5”

O-P Feed Throat ID 8”

H-M Base Flange OD 14”

K-L Square Tube Width 10”

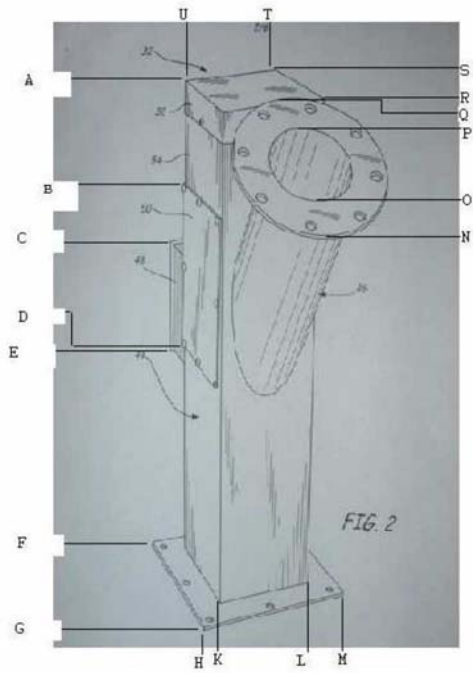
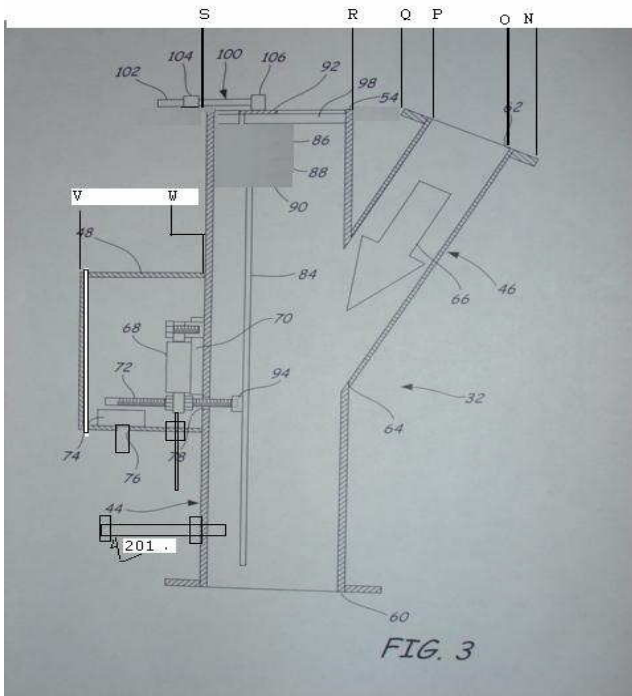
R-Q – Cover to Flange Edge 1.5”

R-N Body Cavity Edge to Far Feed Throat Flange Edge 13”

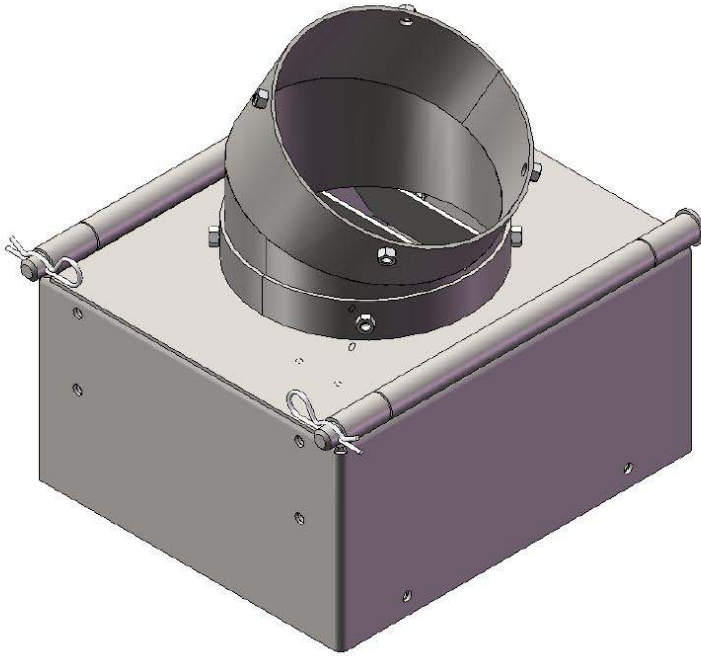
S-R – Body Cavity Depth 10”

V-W Load Cell Box Depth 7”

Specs subject to change without notice.



Model Low Profile Series (Lo Pro) – 10 “ Tall



Model Big Mouth Series.. Custom Fit To Application./

